

ALONE – Technical specifications (Theater):

Cia. Sebas
MANUEL SEBASTIÁN
gestio@sebasweb.com
+34 639 767 059

Number of people traveling: 2 person

- 1 Actor
- 1 Technician

SHOW

Duration of the show: **50 minutes**

SET UP AND DISMANTLING

Setting up time: **4- 6 hours**

Dismantling time: **1, 30 hours**

SPACE REQUERIMENTS

OPTIMUM DIMENSIONS: 8m deep x 8 m wide

MINIMUM DIMENSIONS: 7 m deep x 8 m wide x 4,50 m high

LIGHTING

- 16 x PC 1 KW
- 16 x PAR 64 CP62
- 4 x Profiles ETC 750w

SOUND

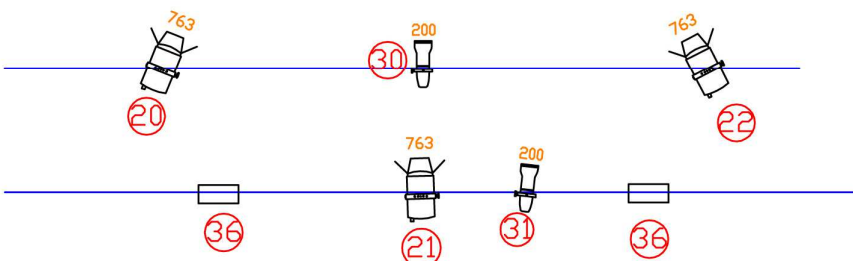
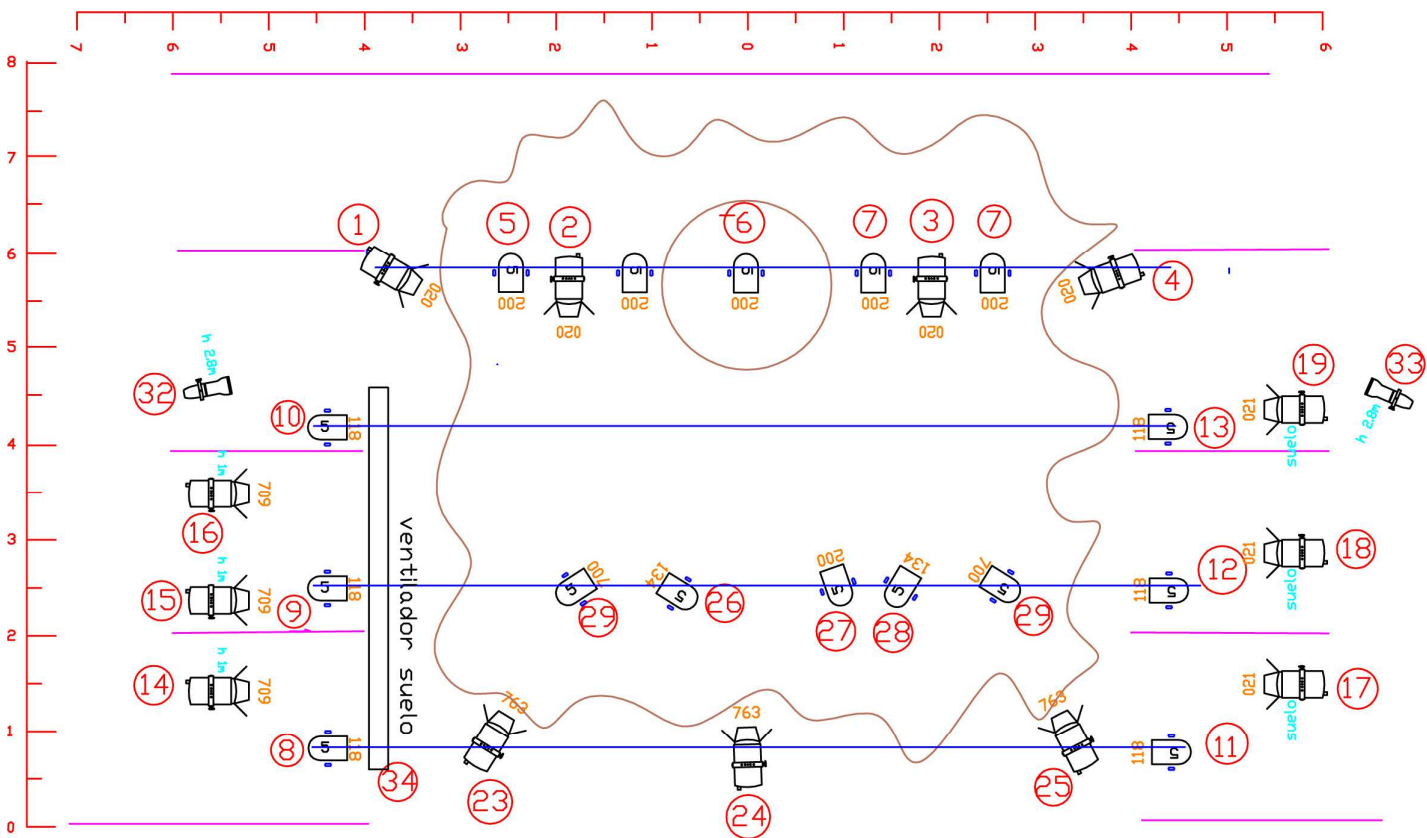
- Amplification and P.A according to the needs of the theatre
- Sound table for connecting computer

.

OTHERS

- The company travels with own sound and lighting technician
- 1 Dressing room with water
- 2 persons for mounting if there is no direct access to stage

Contact: Manuel Sebastián tel. +34 639 767 059 gestio@sebasweb.com



par cp 62 16

PC 1000 16

recorte
etc 4

panorama
lampe 2

ch dimmers 36

CIA SEBAS
ALONE
ILUMINACION LLORENÇ PARRA